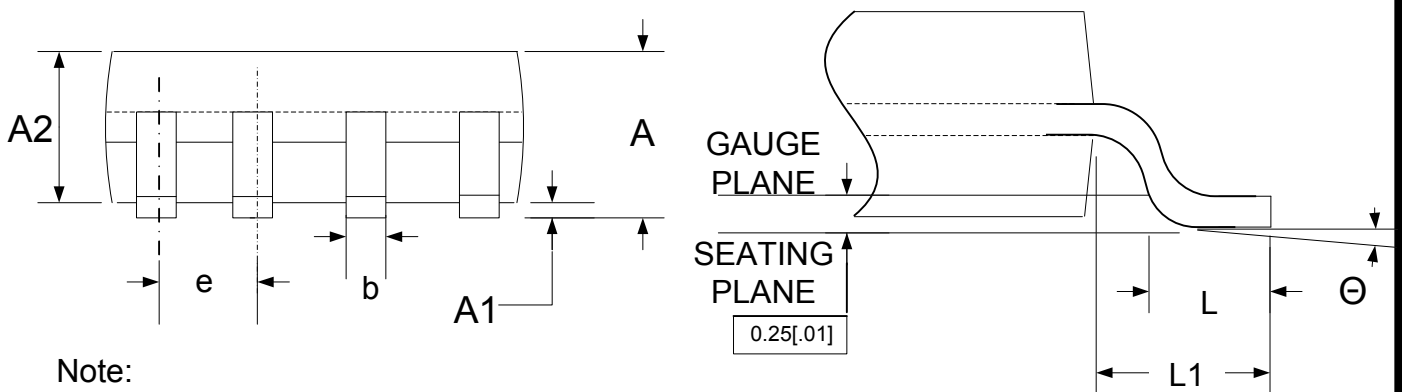


SYMBOLS	DIMENSIONS IN MILLIMETERS			DIMENSIONS IN INCHES		
	MIN	NOM	MAX	MIN	NOM	MAX
A	--	--	2.05	--	--	0.081
A1	0.05	--	0.20	0.002	--	0.008
A2	1.70	--	1.85	0.067	--	0.073
b	0.36	--	0.48	0.014	--	0.019
c	0.19	--	0.25	0.007	--	0.010
D	5.18	--	5.33	0.204	--	0.210
E	7.70	--	8.10	0.303	--	0.319
E1	5.18	--	5.38	0.204	--	0.212
e	1.27 BSC.			0.050 BSC.		
L	0.51	--	0.80	0.020	--	0.031
L1	1.21	--	1.41	0.048	--	0.056
Θ	0	--	8°	0	--	8°



Note:

1. Controlling Dimension:MM
2. Dimension D and E1 do not include Mold protrusion
3. Dimension b does not include dambar protrusion/intrusion.
4. Refer to Jedec standard MS-012
5. Drawing is not to scale